

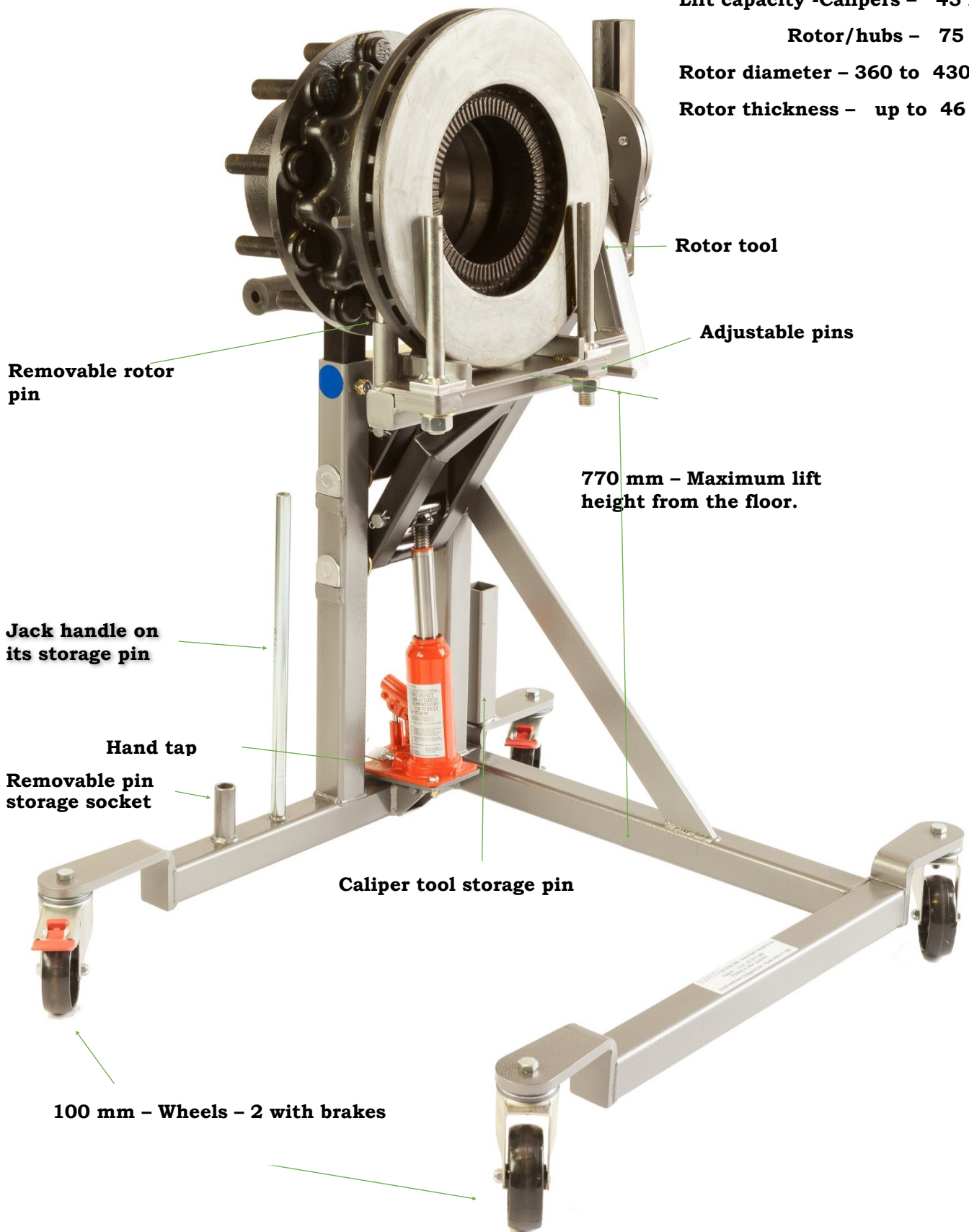
# **SLEECO Disc Brake Dolly**

**Lift capacity -Calipers - 45 kgs**

**Rotor/hubs - 75 kgs**

**Rotor diameter - 360 to 430 mm**

**Rotor thickness - up to 46 mm**



**Prowse Holdings Pty. Ltd. (Australia)**

**USA Patent - 9771990, Patent pending Australia.**

**Other Patents - Germany, Taiwan, China, Japan.**

# **SLEECO Disc Brake Dolly**

One person can easily remove and refit calipers from the axle to the floor or bench and then back to the axle.

- 1- Remove calipers from any position on the rotor.
- 2- Calipers are securely bolted to the caliper tool.
- 3- Three caliper plates are supplied.



**Prowse Holdings Pty Ltd (Australia)**

**Email - [david.sleel@bigpond.com](mailto:david.sleel@bigpond.com)**

**Phone - +61428 411608**

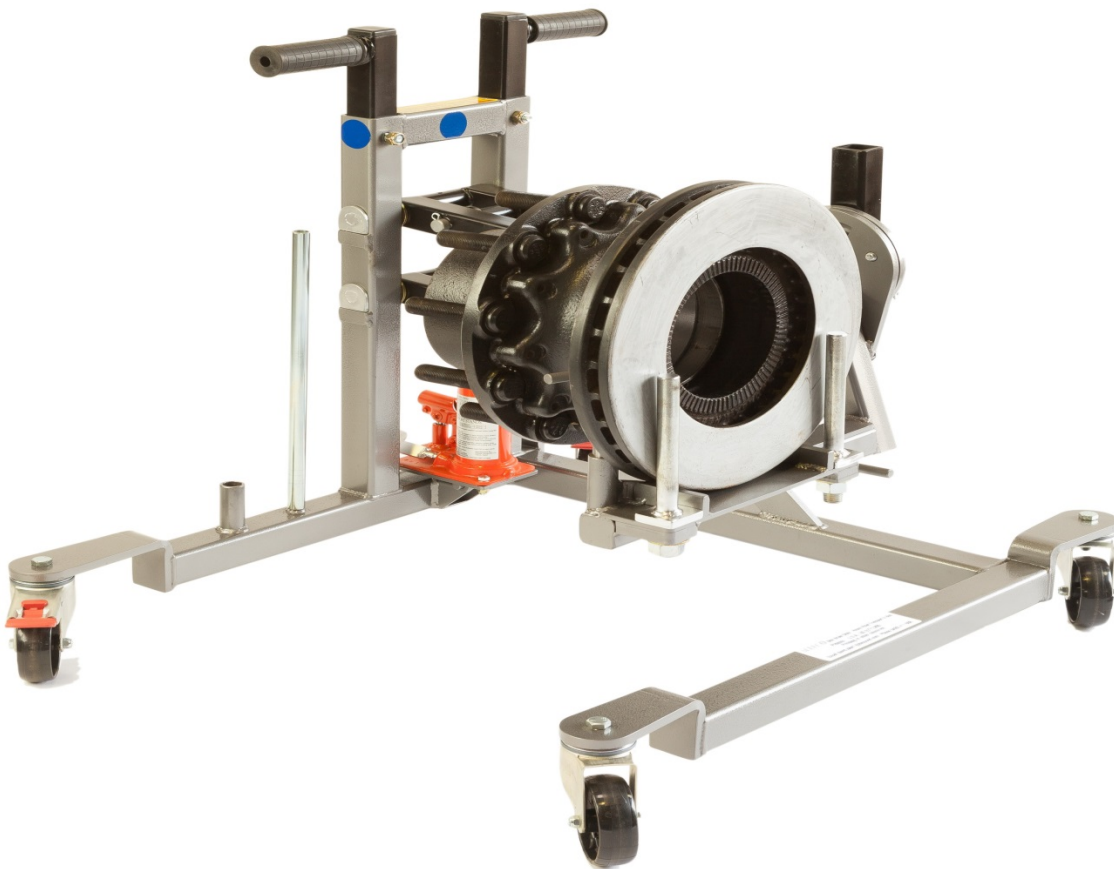
**USA Patent - 9771990, Patent Pending Australia**

**Other Patents - Germany, Taiwan, China, Japan.**

# **SLEECO Disc Brake Dolly**

**For easy, fast and safe removal and refitting of heavy Air Disc Brake components.**

- 1 – Remove calipers and rotor/hubs from the axle, place them on a bench or the floor, and then pick them back up again for refitting to the axle – fast and safe!**
- 2 – Hold and rotate the rotor/hub for servicing if required.**
- 3 – One person operation.**
- 4 – Affordable, one tool carrier, with caliper and rotor/hub tools.**



**Prowse Holdings Pty Ltd (Australia)**

**Email – [david.sleel@bigpond.com](mailto:david.sleel@bigpond.com)**

**Phone - +61428 411608**

**USA Patent – 9771990, Patent Pending Australia.**

**Other Patents – Germany, Taiwan, China, Japan.**